

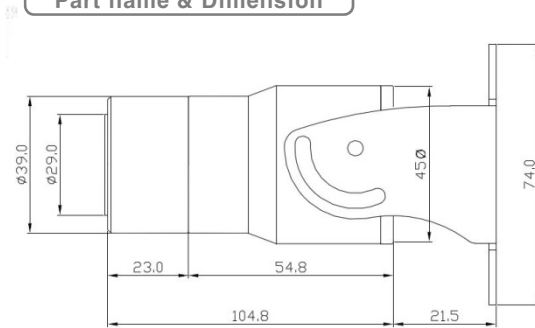
### CAUTION

RISK OF ELECTRIC SHOCK  
DO NOT OPEN

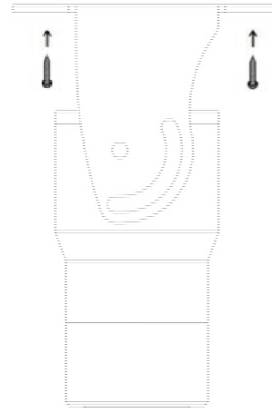
CAUTION : TO REDUCE THE RISK OF ELECTRIC SHOCK,  
DO NOT REMOVE COVER  
NOT USER SERVICEABLE PARTS INSIDE  
REFER SERVICING TO QUALIFIED SERVICE PERSONNEL

## Dimensions

### Part name & Dimension



## Installation



**1. Adjust view angle using the bracket hole before the mounting screws are fixed.**

**2. Loosen up the screws of the bracket for adjusting view angle and tighten up the bracket on the wall or ceiling**

## Accessories



Mounting screws

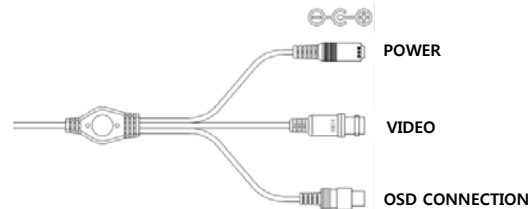


OSD linking cable (option)



Wall mount bracket (option)

## Cable



## Features

- 1/3" 960H Sony Super HAD II CCD
- 700 TV lines of Resolution
- AISI 316 Grade Stainless steel body & 3-axis bracket
- Anti-salt & Anti-germ
- 24pcs of IR LEDs
- 2.3mm fixed lens
- Compact size
- Low illumination camera
- Smart 3D-DNR
- SENS-UP (x8, default)
- Waterproof / IP-67 compliant
- DC12V

## Specifications

TV System	NTSC	PAL
Image pick-up Device	1/3" Sony Super HAD II Color CCD (960H)	
Number of Pixels	H	976
	V	582
Scanning Frequency	H	15.734KHz
	V	59.94Hz
Horizontal Resolution	Color	700 TV Lines
Scanning System	2:1 Interlace	
S/N Ratio	More than 52dB (AGC off)	
Min. Sensitivity	0.1 Lux at F : 1.2	
	0.001 Lux at SENS-UP on	
Scanning System	2:1 Interlace	
Gamma Correction	0.45 Approx.	
Gain Control	Automatic	
Video Output	Composite Video 1.0Vp-p/75Ω	
Lens	Fixed 2.3mm Lens	
Power Source	DC12V 300mA	
Power Consumption	Max 2.0 Watt	
Operating Temp.	-10°C ~ +50°C	
Dimensions (mm)	Φ49 X 114(L)	
Weight/g	600	

**CAUTION!** Please use regulated power supply DC12V 300mA  
Reverse Polarity Protection

All specification and pictures are subject to change without notice to improve quality.

