

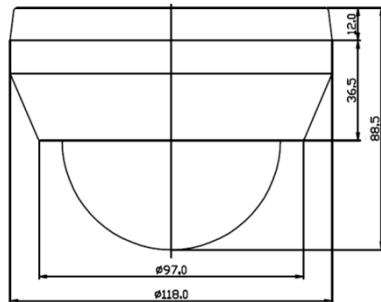
CAUTION

RISK OF ELECTRIC SHOCK
DO NOT OPEN

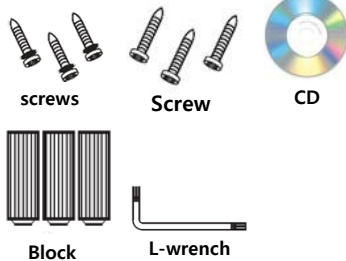
CAUTION : TO REDUCE THE RISK OF ELECTRIC SHOCK,
DO NOT REMOVE COVER
NOT USER SERVICEABLE PARTS INSIDE
REFER SERVICING TO QUALIFIED SERVICE PERSONNEL

Dimensions

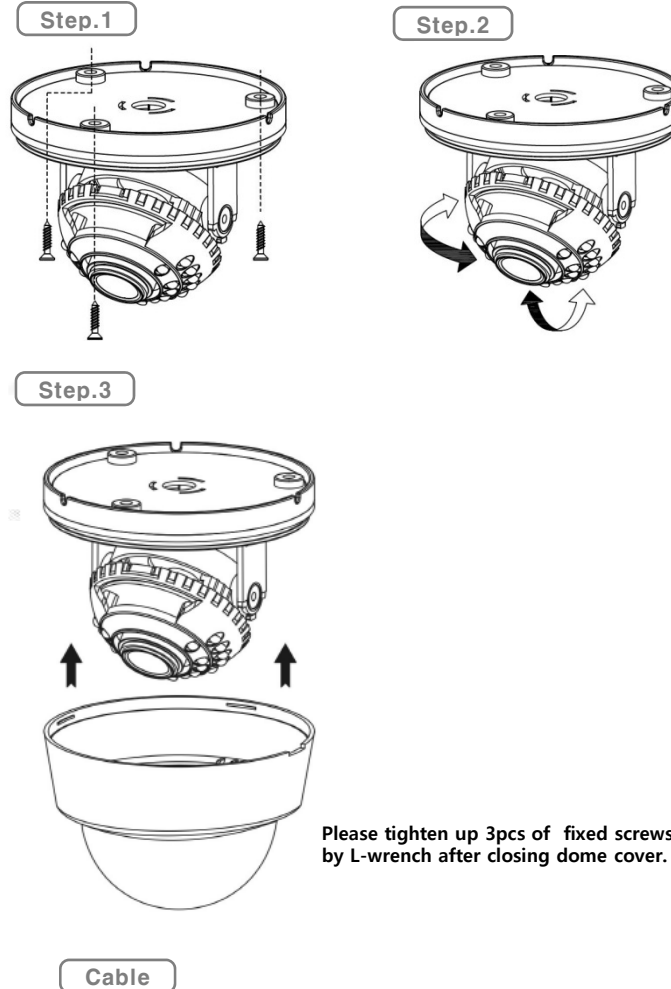
Part name & Dimension



Accessories



Installation



Please tighten up 3pcs of fixed screws
by L-wrench after closing dome cover.

Features

- 1/2.9" 2.43M PS CMOS Sensor
- Support ONVIF (Profile S)
- Dual Stream (H.264, MJPEG)
- Stainless Steel Body (AISI 316 grade)
- 2.8~12mm DC auto iris lens
- True Day & Night with ICR mechanism
- 24 pcs of IR LEDs
- IR Smart for better night vision performance
- SENS-UP (Default x3, up to x5)
- 3 axis gimbal bracket
- Perfect Salt-Mist Proof/ IP-68 rating
- Built-in PoE (IEEE 802.3af)



Specifications

Video Encoding	MJPEG / H.264 AVC (MPEG4 part 10)
Resolution	1920x1080, 1280x 720, 1024, 640x480, 320x240, 160x120
Compression level	6 levels (low compression/highest/high/normal/low/lowest
Live casting	Up to 30fps @ 2M when simplex
B/W Control	VBR, CBR (32K ~ 12M bps)
Recording mode	Scheduled recording, Forced recording, Motion recording.
Dynamic IP	Dedicated DDNS IP service using www.ipcctvdns.com
Security	Password protection for live, playback, other controls
Browser	IE 6.0 or higher for control & live view Safari, Firefox, Chrome for live-view only (at JPEG mode)
CMS	Support 16 channels, Full featured PC NVR (Minimum PC requirement : Windows XP, 2000, Pentium IV 1.6GHz CPU or higher, 256Mbytes RAM or above, 64Mbyte s video memory or above)
Protocol	ONVIF, PSIA, HTTP, TCP/UDP/IP, ARP, ICMP, RTP/RTSP, multi cast, Telnet, ftp, PPPoE, SMTP(e-mail), DHCP, NTP, uPnP, SN MP etc.
SDK	Open HTTP API, ActiveX for live-cast with audio, PTZ
Installation & maintenance	Configuration: installation wizard, HTTP, telnet and console , Upgrade firmware: HTTP, telnet + ftp

All specification and pictures are subject to change without notice to improve quality.

