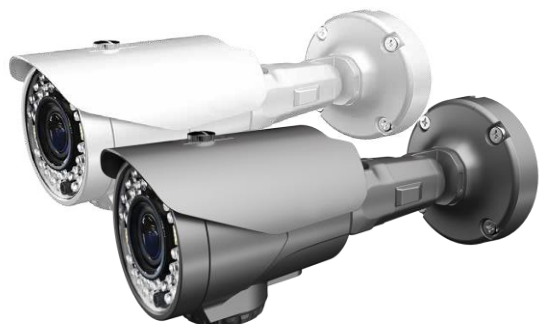




# TIB-2801PX

## HDTVI, HDSDI, Analog Bullet Camera



### Features

Heater & Thermostat Module  
 Patent Design 5-Axis Bracket  
 IDP™ Isolation Dual Power  
 WDR, AGC, DNR  
 Privacy Masking

### More Features

Available in Grey or White. Add “-G” or “-W” to the end of part number

Specification	TIB-2801PX
Image Sensor	1/2.9" 2.4MP Sony Exmor CMOS
Effective Pixel	1920 (H) × 1080 (V) = 2.4M
Scanning System	Progressive
Synchronization	Internal
Horizontal Resolution	1080P
Video Output	HD-TVI, EX-SDI/HD-SDI, CVBS (OSD Selectable)
S/N (Y Signal)	More Than 52dB
Min. Illumination	0.02Lux (SENS-UP X32)
Iris Adjustment	ALC / ELC
Lens	2.8~12mm MP DC Auto Iris Varifocal Lens (ICR)
Electronic Shutter	Auto (1/30~1/60,000) Auto (1/25~1/60,000)
OSD Language	ENG / CHN / CHN[S] / JPN / KOR
Backlight Compensation	OFF / HLC / BLC / WDR
Day & Night	Color / BW / Extern / Auto
WDR	Off / Low / Middle / High
Auto Gain Control	Level (0~20) Adjustment
White Balance	Auto / Autodext / Preset / Manual
Privacy Masking	On / Off (Programmable 16 Zones)
DNR	Off / Low / Middle / High
Smart IR (ANTI-SAT)	Anti-Set (0~20) Adjustment
LSC	On / Off
Gamma	0.45 / 0.5 / 0.55 / 0.6 / 0.65
Defog	On / Off
Digital Zoom	On / Off (X1 ~ X8.0)
Dead Pixel Compensation	Live DPC / DPC Set
SENS-UP	Off / X2~X32
Motion	4 Area
Digital Effect	Off / V-Flip / Mirror / Rotate
Communication	UTC
IR Led	48Pcs (180ft)
Input Voltage	DC 12V / AC 24V Dual Voltage (Optional)
Power Consumption	DC IR Off : 210mA (Max) / DC IR ON : 650mA (Max)
	AC IR Off : 200mA (Max) / AC IR ON : 550mA (Max)
Operating Temperature / Hum	-22°F ~ 122°F (-30°C~50°C) / MAX 90% RH