

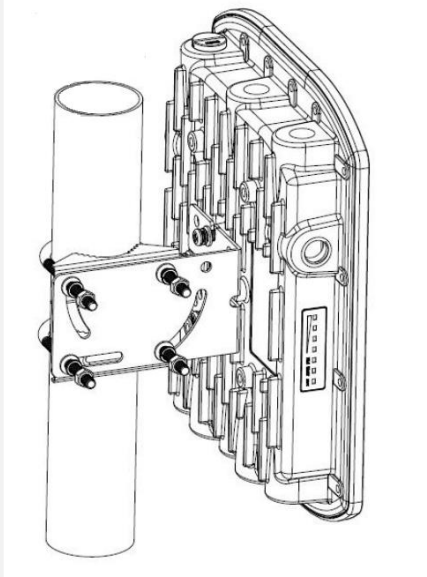


Features

- Plug & Play WiFi
- PoE Power
- 300Mbps
- Dip Switch Settings
- 4.9 Mile Transmission Distance
- 5.8GHz Transmission

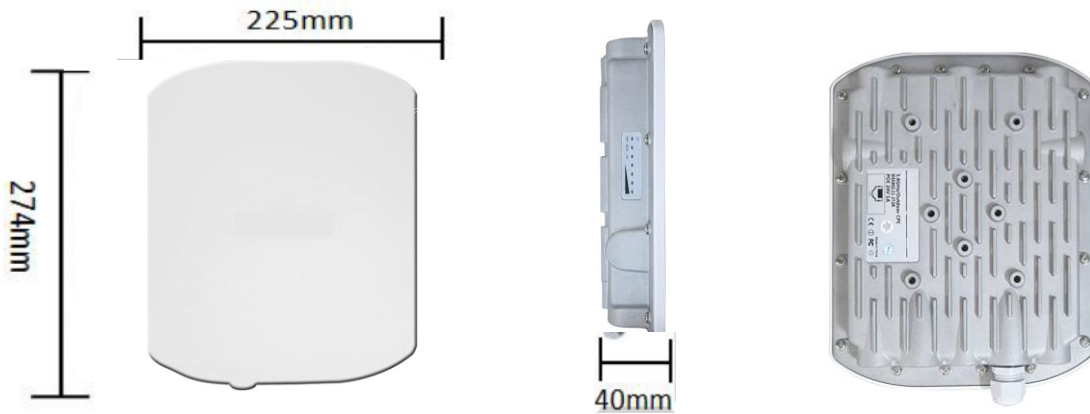
AR-5808-900 Includes:

- 1 x AP AR-5808-900
- 1 x 24V PoE Adaptor Kit
- 2 x U Bracket
- 1 x L Bracket
- 5 x Screws Kit



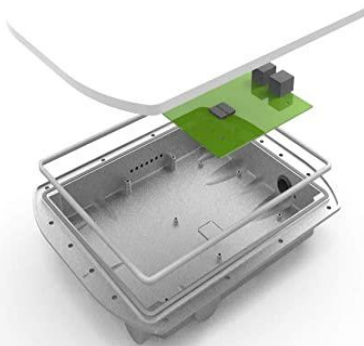
Specification		AR-5808-900
Chipset	Atheros AR9344	
DRAM	DDR2 128MByte	
FLASH	8MByte	
IC	SiGe5004I*2	
Port	10/100/1000Mbps LAN*1	
Speed	300Mbps	
Modulation	OFDM: BPSK, QPSK, CCK, DQPSK, DBPSK	
Standard	IEEE802.11a, IEEE802.11n, IEEE802.3u	
Channel	5180Mhz~5825Mhz	
Management	WEP Management	Yes
	SNMP MIB	Yes
	Telnet	Yes
	Serial	Yes
Security	Encryption	WEP 64/128bits WPA, WPA2, 802.1x
Operating Temperature	-22° ~ 149° F / -30° ~ 65° C	
Storage Temperature	-58° ~ 176° F / -50° ~ 80° C	
Humidity	≤95% (NA)	





AR-5808-900 Includes:

- 1 x AP (AR-5808-900)
- 1 x 24V PoE Adaptor Kit
- 2 x U Bracket
- 1 x L Bracket
- 5 x Screws Kit



Specification		AR-5808-900		
RF @25°C ±2dB	802.11a	6-24Mbps	26 ±2dBm	
		36-48Mbps	25 ±2dBm	
		54 Mbps	24 ±2dBm	
	802.11ac	HT20	MCS 0-3	26 ±2dBm
			MCS 4	25 ±2dBm
			MCS 5	24.5 ±2dBm
			MCS 6	24 ±2dBm
		HT40	MCS 7	23.5 ±2dBm
			MCS 0-3	25 ±2dBm
			MCS 4	24.5 ±2dBm
MCS 5			24 ±2dBm	
MCS 6	23.5 ±2dBm			
	802.11a	6Mbps ≤ -89; 54Mbps ≤ -73		
	802.11ac	HT20	MCS 0 ≤ -94; MCS 7 ≤ -76	
HT40		MCS 0 ≤ -92; MCS 7 ≤ -76		
Antenna	Frequency	4900 ~ 600MHz		
	Direction	Horizontal / Vertical		
	Gain	16DBi		

