



OPT-7MFTD-GM

Temperature Detection Terminal



Features

- 1/ 2.8" Sony Start Light CMOS Sensor
- Support Storage of 100,000 Records
- Forehead Temperature Measurement
- Face Recognition Distance .3 – 1.3M
- 3.6mm Lens

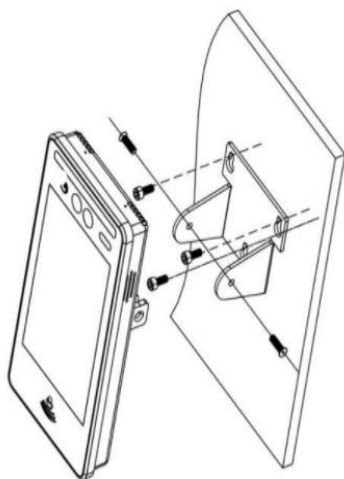
More Features

128G Storage card slot

7 Inch LCD Screen

Day & Night Mode

Sony Starlight CMOS



Specification	OPT-7MFTD-GM
Screen Dimensions	7 inch. Full-angle IPS LCD screen
Screen Resolution	1280 X 720
Camera Type	Dual Camera Design
Sensor	1 / 2.8' SONY Starlight CMOS
Detection Type	Support Living face detection, effective prevention of print photos Phone photo and video spoofing
Lens	3.6mm * 2
Event linkage	TF card storage, FTP upload alarm output linkage Wiegand output linkage, voice broadcast
Network Protocol	IPv4, TCP/IP, NTP, FTP, HTTP
Interface Protocol	ONVIF, RTSP
Security Mode	Authorized Username and Password
System Upgrade	Support Remote Upgrade (optional)
Network Module (optional)	Support Built-in WiFi module option Support built-in 4G module
Supplementary Light	IR light LED white light
Speaker	Support voice broadcast after successful recognition
Network Interface	RJ45 10M / 100M Network Adaptation
Alarm Input	2 CH
Alarm Output	2 CH
RS 485 Interface	Support
TF Card Slot	Support up to 128G of Local Storage
USB	Support
Wiegand Interface	Support Wiegand 26, 34, 66 protocol
Reset Key	Support
Sim card	Support
Operating Temp.	-20 C – 60 C (-4 F – 140F)
Working Humidity	0%-90%
Power Supply	DC 12V
Power Dissipation	<= 12 W
Dimensions	406mm X 120mm (15.98" in x 4.72" in)
Installation Mode	Wall Installation, Gateway installation, Floor Stand Installation