



MMI-3060b Monitor Mount

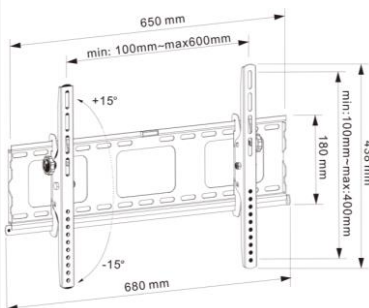


Features

- Monitor Mount
- VESA Standards Patterns
- Heavy Gauge Metal
- Supports up to 165 Lbs. / 75 Kgs
- Max VESA 800 x 400

More Features

- Fits 32" – 65" TV Monitor
- Max VESA Pattern 800 x 400
- Allows UP to 15-degree tilting
- Load Capacity 165 Lbs/75 Kgs
- Distance to Wall 65mm/2.5in
- Built-in Bubble Level
- Locking Bar
- Includes All Necessary Installation Materials



Specification	MMI-3060b
Material	Metal Powder Coated Finish
Maximum Load	165 Lbs. & 75 Kgs
Construction	Heavy Gauge Metal
Tilt	+15 / - 15 Degress
Wall Distance	65mm / 2.5 in
VESA Pattern	Max VESA 800 x 400