



MIP-2120

2 Megapixel 12x Starlight Mini PTZ



Features

Starlight 2 Megapixel PTZ
 Powerful 12x Optical Zoom
 120dB True WDR
 IP66, IK10 Protection
 Support PoE+

More Features

Starlight Megapixel PTZ

Powerful 12x Optical Zoom

True WDR 120dB

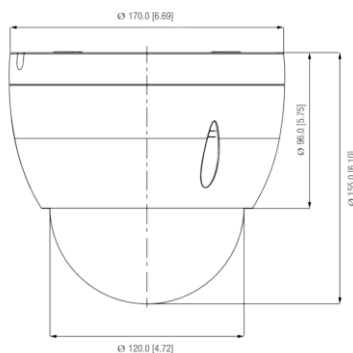
24V AC & PoE+

IP66 IK10 Protection

Micro SD slot

OnVif Protocol

Triple Stream



Specification	MIP-2120
Image Sensor	1/2.8" 2MP Progressive Scan STARVIS CMOS
Image Resolution	1920 (H) x 1080 (V)
ROM	128M
RAM	1024M
Electric Shutter	1/1 s - 1/30,000 s
Minimum Illumination	0.005 Lux @ F1.6 (color) & 0.0005 Lux @ F1.6 (B&W)
S/N Ratio	> 55dB
Lens Type	Motorized
Focal Length	5.3 - 64mm
Angle of View	Horizontal 58.2 - 4.8 degrees
Max Aperture	F1.6 - F4.4
Close Focus Distance	.33-3.28ft (100mm - 1000mm)
Pan / Tilt Range	Pan 0-360 degree/ Tilt 2-90 degree /auto flip 180 degree
Manual Control Speed	Pan .1-300 degree/s / tilt .1-120 degree /s
Preset Speed	Pan 300 degree / tilt 200 degree s
Preset	300
PTZ Mode	5 Pattern, 8 Tour, Auto Pan, 5 Auto Scan
Speed Setup	Human-oriented focal length / Speed adaptation
Power UP Action	Auto restore to previous PTZ & lens status after power failure
Idle Motion Protocol	Active Preset/Scan/Tour / Pattern if there is no command in the Special period DH-SD
Video Compression	H.265+ / H.265 / H.264+ / H.264
Streaming Capability	3 Streams
Resolution	1080p (1920x1080), 720p (1280x720), D1 (704x576/704x480) CIF
Bit Rate Control	CBR / VBR
Video Bitrate	H.264 / H.265: 448 Kbps - 8192 Kbps
Day / Night	Auto (ICR) ; Color B/W
BLC Mode	Support
Network Interoperability	OnVif, PSIA, CGI
Storage	Micro SD Card Slot (Support Max 128GB)
Power Supply	24V AC / 1.5A, PoE+ (802.3at)
Power Consumption	<12 W
Operation Temp.	-30-60 C / -22 - 140 F < 95% RH
Protection	IP66, IK10
Casing	Metal
Dimensions	155 x 170mm / 6.10 x 6.69 in
Net Weight	1800g / 3.97 lbs
Gross Weight	3300G / 7.28 Lbs